

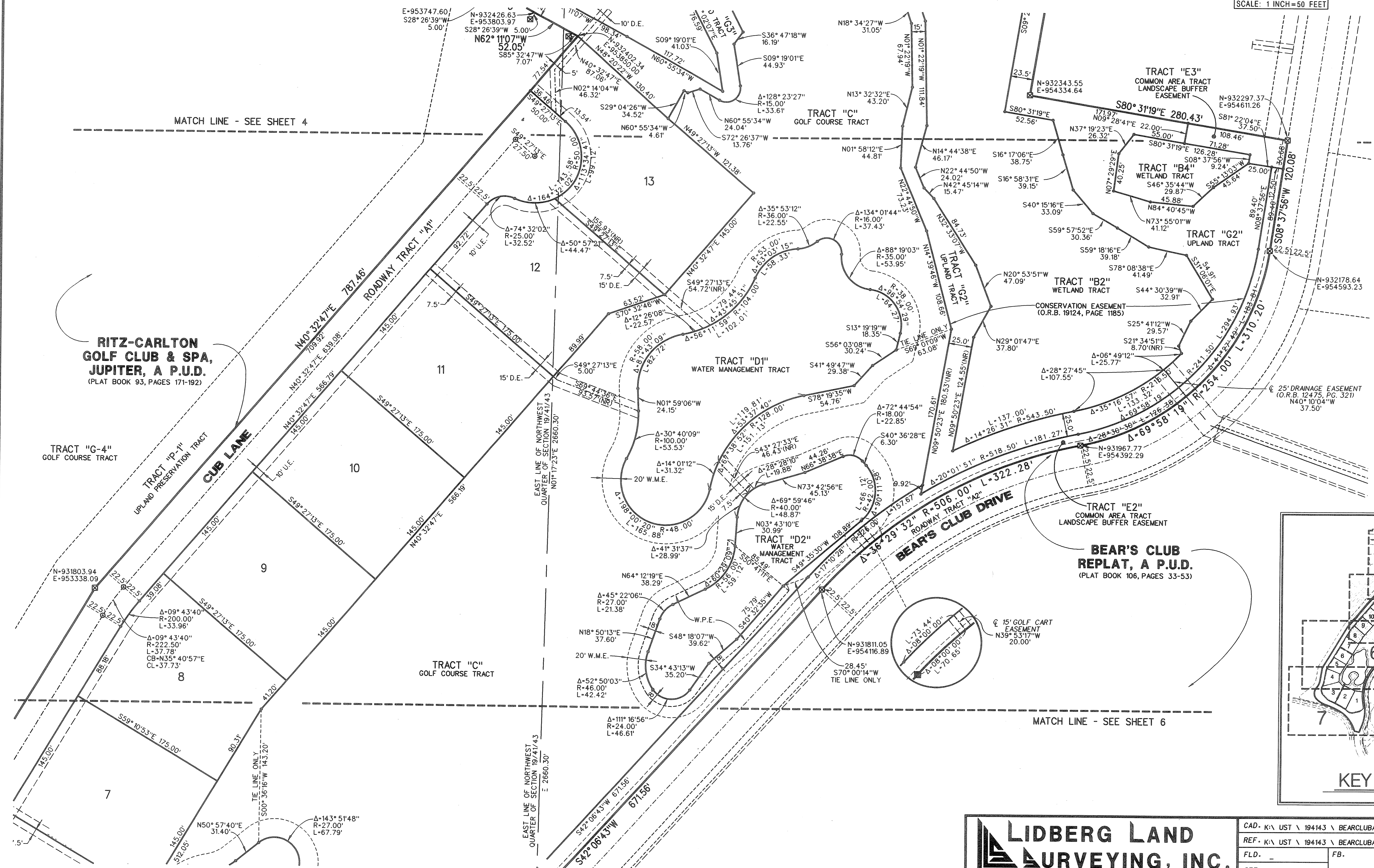
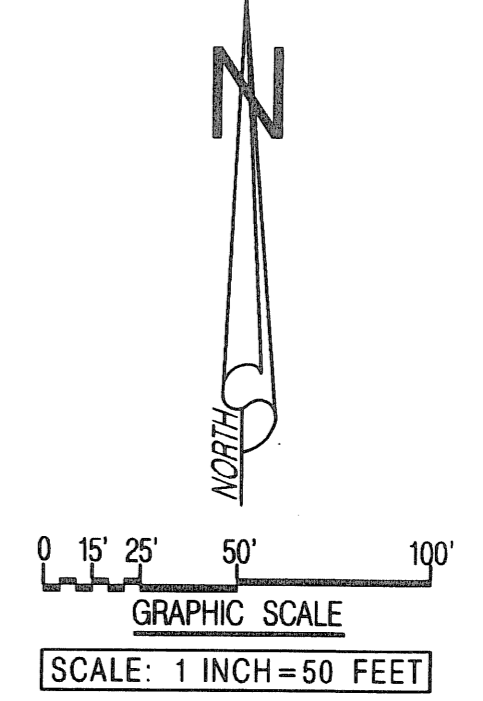
BEAR'S CLUB ADDITION, A P.U.D.

A REPLAT OF ALL OF COMMON AREA TRACTS "C2", "C3" AND "HC2", A PORTION OF COMMON AREA TRACT "C1" AND ALL OF ROADWAY TRACT "A3", BEAR'S CLUB REPLAT, A P.U.D., AS RECORDED IN PLAT BOOK 106, PAGES 33 THROUGH 53, PUBLIC RECORDS OF PALM BEACH COUNTY, FLORIDA, TOGETHER WITH A PARCEL OF LAND LYING IN SECTION 19, TOWNSHIP 41 SOUTH, RANGE 43 EAST, TOWN OF JUPITER, PALM BEACH COUNTY, FLORIDA

JANUARY, 2006

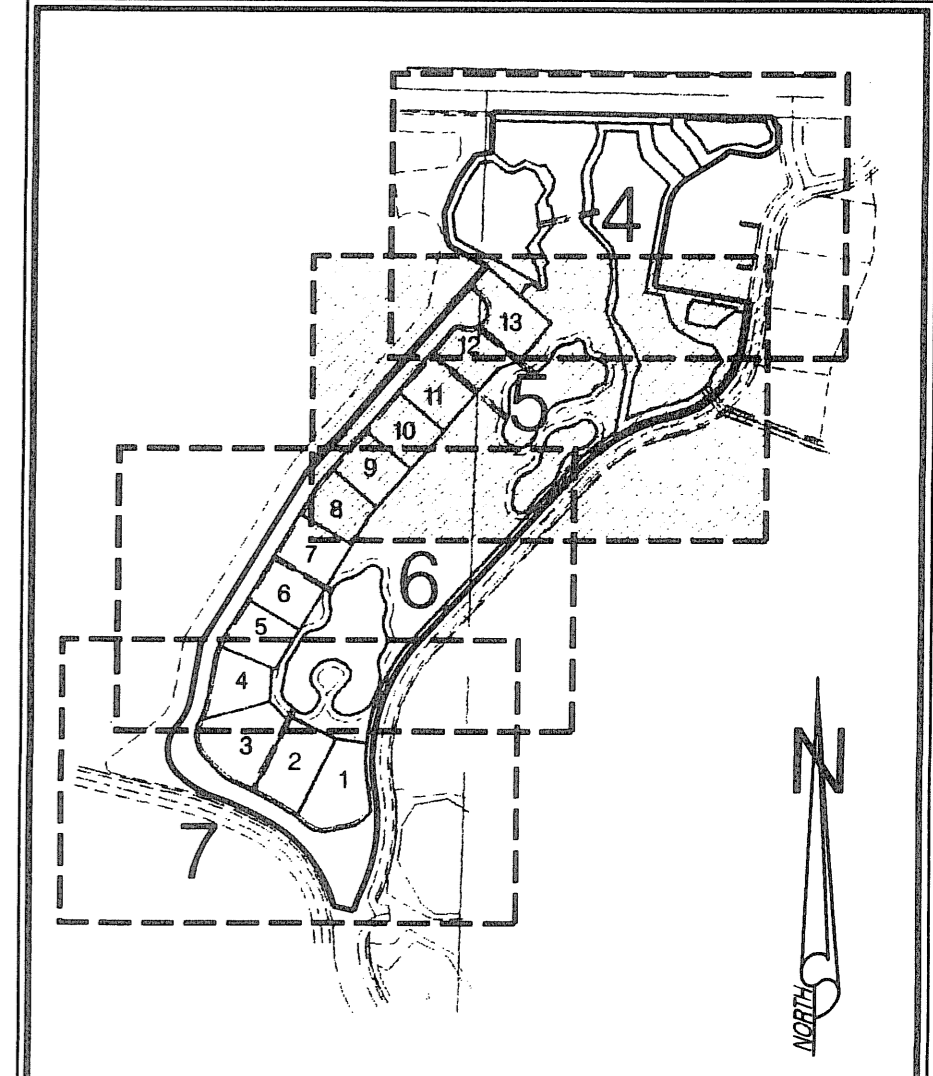
SHEET 5 OF 7

50



RITZ-CARLTON GOLF CLUB & SPA, JUPITER, A P.U.D.
(PLAT BOOK 93, PAGES 171-192)

BEAR'S CLUB REPLAT, A P.U.D.
(PLAT BOOK 106, PAGES 33-53)



KEY SHEET

LIDBERG LAND SURVEYING, INC.
LB4431 675 West Indiantown Road, Suite 200, Jupiter, Florida 33458 TEL. 561-746-8454

CAD: K:\UST\194143\BEARCLUBADD\1662306\SHEETS.DGN			
REF: K:\UST\194143\BEARCLUBADD\1662306\1662306.DGN			
FLD.	FB.	PG.	JOB 02-166-306
OFF. R.J.W.			DATE 06-02-05
CKD. D.C.L.	SHEET 5 OF 7	DWG. D02-166P	

\\BEARCLUBADD\1662306\SHEET5.dgn 1/7/2006 11:12:56 AM